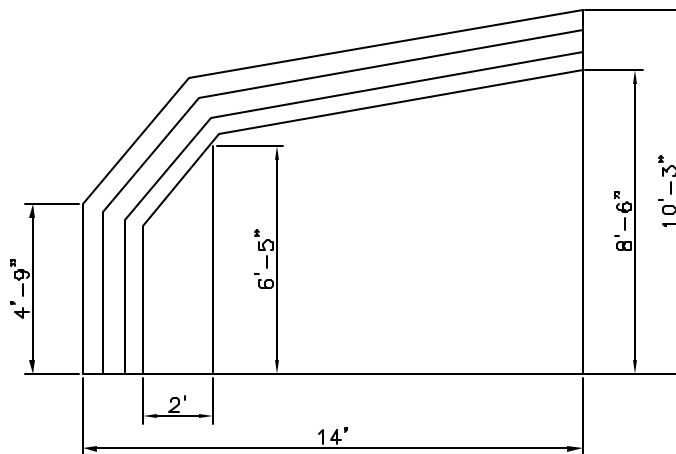
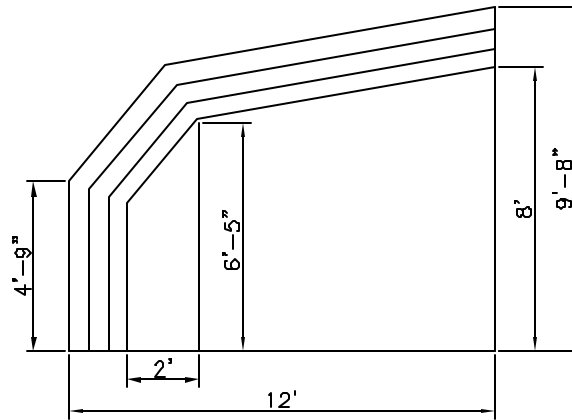
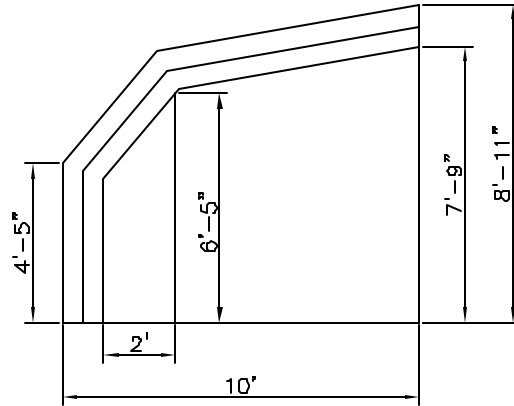
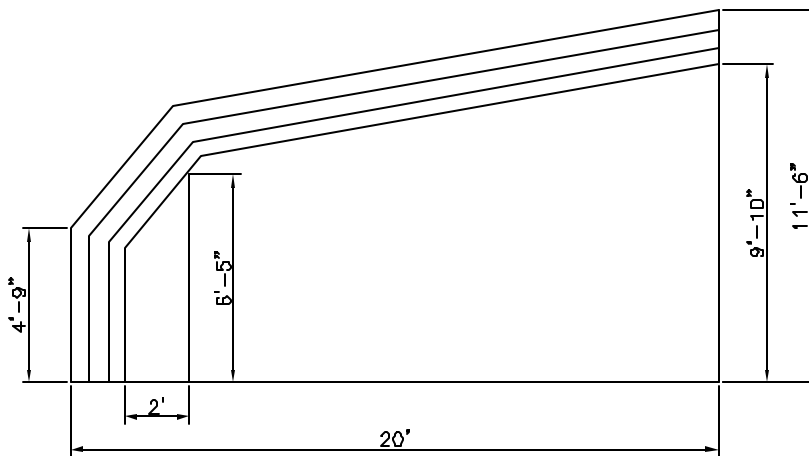
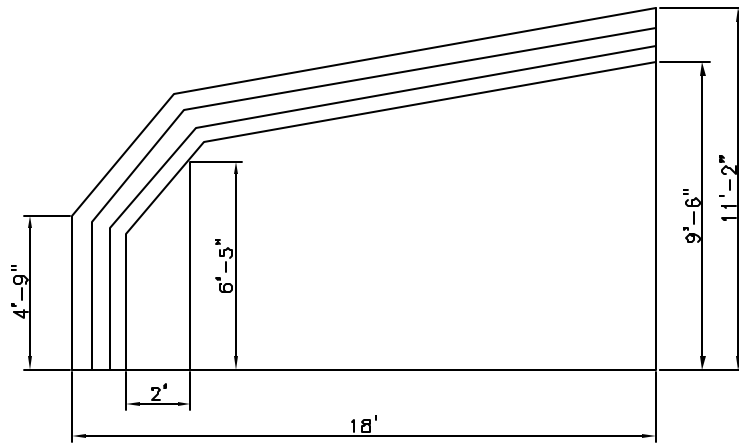
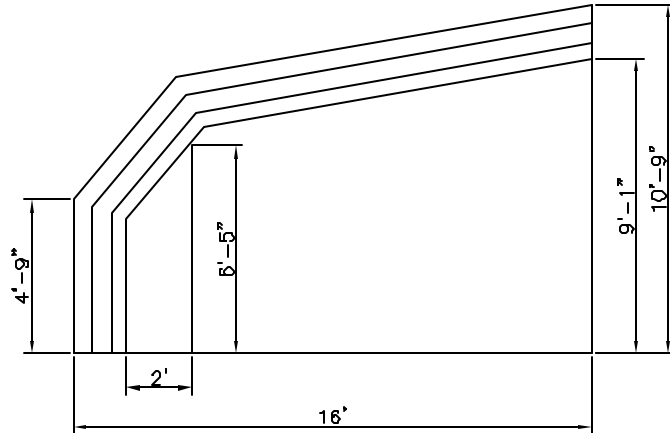


ASDL - TH 10 to 14



PROJECT REF.NO	ASL-TH, ASP 305-1	PROJECT NAME	STANDART ASDL-TH SIZING
SUBJECT	ASL-TH 10-14	PROJECT LOCATION	
DRAWN BY	CEMIL CELIKKÖL	APPROVAL	
CONTROLLED BY		APPROVAL DATE	

ASDL - TH 16 to 20



PHONE: 1-866-542 27 82
www.libart.com

PROJECT REF.NO	ASL-TH, ASP 305-1	PROJECT NAME	STANDART ASDL-TH SIZING
SUBJECT	ASL-TH 16-20	PROJECT LOCATION	
DRAWN BY	CEMIL CELIKKÖL	APPROVAL	
CONTROLLED BY		APPROVAL DATE	