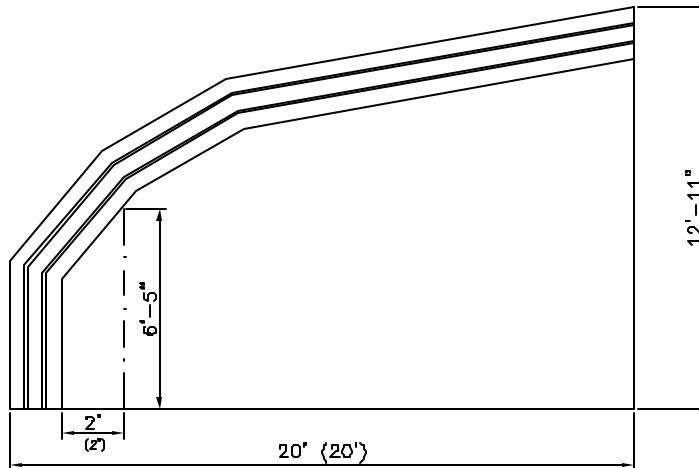
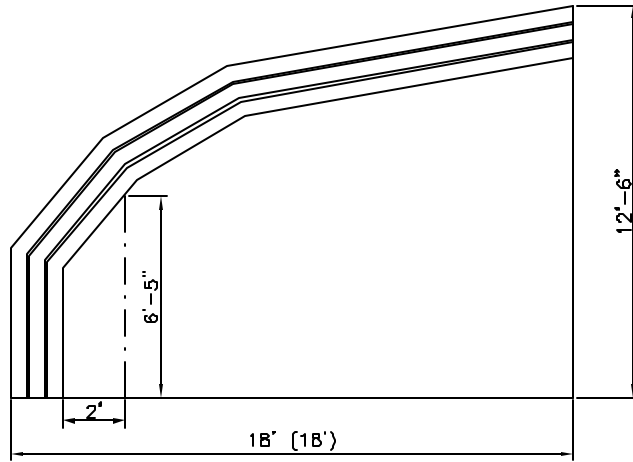
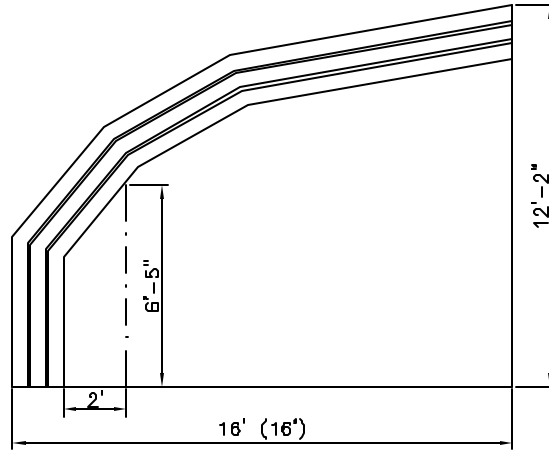
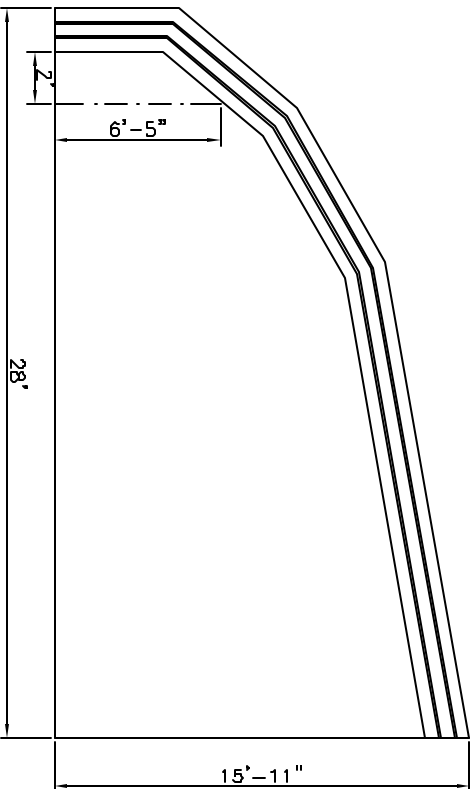
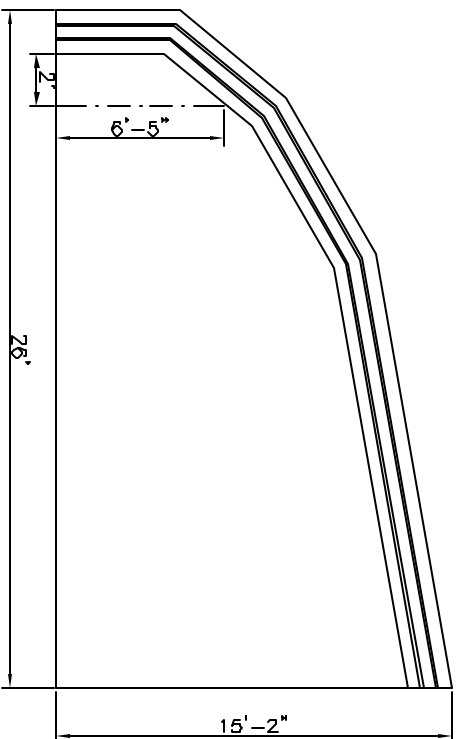
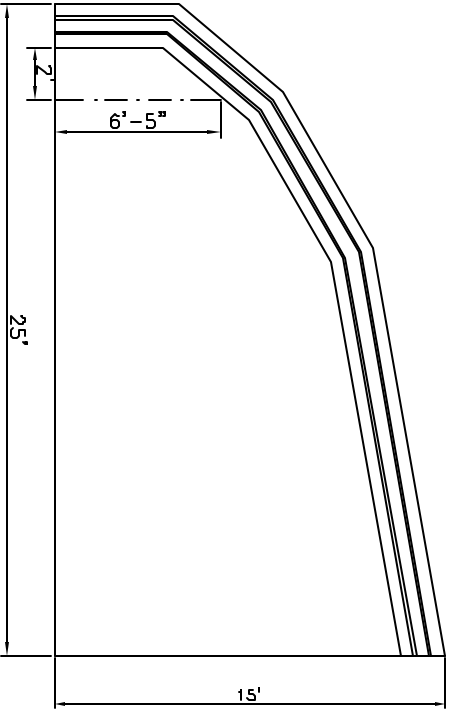
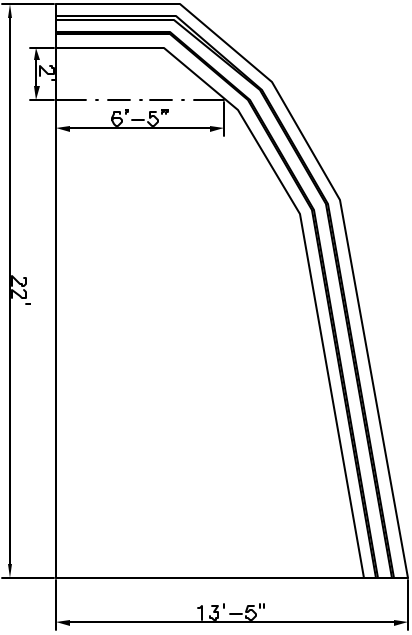



# ASVL-TH 16 to 20



PROJECT REF.NO	ASL-TH, ASP 305-1	PROJECT NAME	STANDART ASVL-TH SIZING
SUBJECT	ASL-TH 10-14	PROJECT LOCATION	
DRAWN BY	CEMIL CELIKKÖL	APPROVAL	
CONTROLLED BY		APPROVAL DATE	

# ASVL-TH 22 to 28



 <p>LIBART ENCLOSURE SYSTEMS PHONE: 1-866-542 27 82 www.libart.com</p>		PROJECT REF.NO	ASL-TH, ASP 305-1	PROJECT NAME	STANDART ASVL-TH SIZING
		SUBJECT	ASL-TH 10-14	PROJECT LOCATION	
DRAWN BY	CEMIL CEUKKOL	APPROVAL			
CONTROLLED BY		APPROVAL DATE			